

Company Name: ..... Surveyor: .....

Customer Ref: ..... Date: .....

Location in the house: ..... Quantity the same: ..... (only 1 style per page)

Child Locks: 100mm Restrictor (only if no inside horns):  
NONE or YES - Fitted one to each side ?

Colour Furniture? POLISHED CHROME/BRASS/SATIN CHROME/  
ANTIQUPE PEWTER/ANTIQUPE BLACK

Timber Types:

- Frames & Cill: 1. SW: Pine (any finish, redwood/whitewood)  
2. HW: Sapele/Meranti (White or RAL finish only)  
3. HW: Oak (Stain finish only)

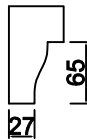
- Trims & Window Boards: 1. SW: Pine  
2. HW: Sapele/Meranti  
3. HW: Oak

Colour and finish inside and outside:

1. Fully finished Satin White (std) Std Smooth / Grainy  
2. Satin RAL, number: \_\_\_\_\_ Std Smooth / Grainy  
3. Satin Stained, number: \_\_\_\_\_

Horns (decorative, outside only):

1. Standard as drawn here -  
2. Custom draw bottom page.  
3. None



Architrave: (standard OG, painted to match window)

1. YES-70mm only. Top & Sides OR All 4 sides?  
2. NO

Architrave to wall fillers Top & Sides OR All 4 sides?

1. YES, size? Write W x H here>>  
2. NO

Internal window board:

1. YES Factory bull nosed ends? Yes No  
Depth: 50 / 100 / 150 / 200 mm  
Length (inc bull nosed ends) \_\_\_\_\_ mm.  
2. NO

Arched Top Options :

1. None  
2. Arched Tops (Arched Frame & Top Sash)  
3. Arched Tops (Arched Top Sash Timber Corners, Square Frame, Arched Outside Under Brick Work)  
4. Swept Heads (Arch in Sash Only, Frames All Square)

Std Glass (4-16-4 =24mm overall): Glass by ATW or Customer?

TOP: Clear Std, LAM, Obscure type? \_\_\_\_\_ (Circle)  
BOTTOM: Clear Std, LAM, Obscure type? \_\_\_\_\_ (Circle)

Inside Glazing System: (Butyl/Sili to match frame)

1. Black Warm Edge Spacer bar  
2. White Warm Edge Spacer bar

Glazing (Georgian) bar: YES or NO (select type and draw where required onto each sash as dotted line, e.g.- - - - -)

1. 22 mm astragal (on top of glass)  
2. 45 mm through glass with separate glass units.

Cill projection? (From outside face of 155mm frame)

1. YES , Frame Depth + \_\_\_\_\_ mm = \_\_\_\_\_ mm overall ,  
Protruded Sill Length each side, to wrap around wall:  
None or +50mm or +100mm or +200mm each side?  
2. NONE

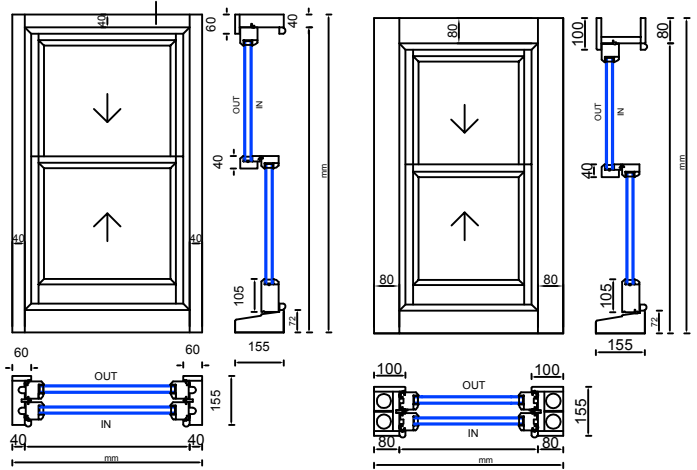
Window Style (please circle the right option):

- a. V-Joints as Std b. Flush Joints (No V)

Window Style (please circle the right option):

- a. V-Joints as Std b. Flush Joints (No V)

Viewed Internally



1. Spring Balanced Timber Windows

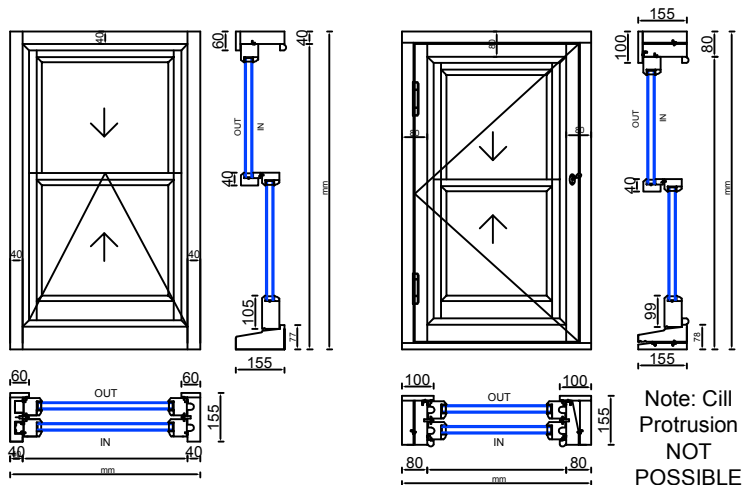
(Springs in Frame only)

- A) Sliding Up & Down Only  
B) Sliding Up & Down +

Tilting Option for easy clean inside

2. Traditional Box Sash Timber Window (with weights)

Viewed Internally



Note: Cill Protrusion NOT POSSIBLE here !

3. Timb-A Tilt (Fire Escape) Timber Window

(Top opener sliding up & down, bottom opener sliding 800mm only, and opens top hung inside in case of fire only).

NOTE: Designed to maintain the same glass lines as spring balanced window.

4. Sashment (Fire Escape) Timber Window

- springs in openers -  
(openers sliding up & down, sash frame side hung with butt hinges on outer frame, opens as casement in case of fire only).

NOTE: Designed to maintain the same glass lines as traditional box sash.

Fire Escape: YES / NO (min clear bottom area dimensions to be 450mmx755mm>0.34m2)

Concealed Trickle Vents? NONE / YES, Qty 1 or 2?