

Surveyor: _____

Company: _____

Customer Ref: _____

Manufacture Ref: _____

Note: ***VIEWED FROM OUTSIDE***
EXTERNAL EDGE FRAME TO EDGE FRAME
SIZES ONLY, INCLUDING CILLS

Max height: 3000mm
Max Door leaf width: 1000mm
Max weight each leaf: BiFold Top Hung: 100kg.
Max opening: 16m (8 leaves each side)

****VIEWED FROM OUTSIDE****

Key:
P = Panel
G = Glass
< or > =openers, points towards hinge
M=Master (traffic door)

**** VIEWED FROM OUTSIDE****

Please note: If you have any specific opening requirements, please consult us upon order to ensure requirements can be met, otherwise doors will be made as requested and you may be left with minimum opening options you were unaware of, if we are not asked. Eg. No external access or the need to open 2+ panels at once to open and close a 2 panel door.

Frames: TIMBER TYPES

1. SW: Pine (redwood/whitewood) & HW cills
2. HW: Sapele/Meranti (Paint finish only)
3. HW: Oak (Stain finish only)

Trims & Window Boards:

1. SW: Pine
2. HW: Sapele/Meranti
3. HW: Oak

Frame Finish Colour: Std Smooth / Grainy

1. Satin White (is std)
2. Satin RAL?
3. Satin Stained?

- a. V-Joints as Std
- b. Flush Joints (No V)

GLASS by ATW? Y / N

Externally Glazed as std or Internal Glazing.

Clear? / Laminated? / Obscure?

Glazing System: (Butyl/Sili to match frame)

1. Black Warm Edge Spacer bar.
2. White Warm Edge Spacer bar

Georgian Bars: Yes or No (select type and Draw where required onto each item as dotted line e.g .
-----)

1. 22mm Astragal (on top of glass)
Recommended is option 1.
2. 45mm through glass with separate glass units.

Equal Sight Lines? Yes / No
(except when window is next to door)

Master Door Handle Colour: White / Black / Polished Chrome / Satin Chrome / Painted Silver F1 / Polished Brass/Gold.

Lock & handle Type:
a. Std LeverLever or b. Split spindle mechanism?

Frame gaskets: Black / White / Brown

BiFold System details:

External - 100kgPans
Internal - 75kgPans.

Colour of hinges, handles, wheels: Polished Stainless / Satin Stainless / Brass
Top Drop Bolts: 190 / 450 / 600mm.

Cill type: Aluminium open out only.

1. **TopHung** - if weight on top rails is ok.
or
2. **Bottom Hung** - if weight on bottom rails.

Tvents: 1. No
2. Yes, Qty _____, placed into the head of the frame (2500mm² air circulation)

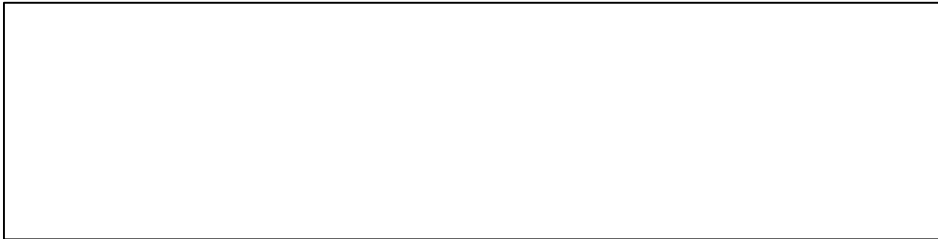
Extras needed: (detailed by customer)
OG Architrave 70mm, qty x mm
qty x mm

Other trim/architrave, Draw styles & dimensions here:
qty _____ x _____ mm. _____ mm x _____ mm.

Please insert vertical lines indicating qty of door leaves/panels as required with arrows showing opening direction and circle all options required, if unsure please call us to clarify to avoid any confusion.

BiFold Door Location: _____

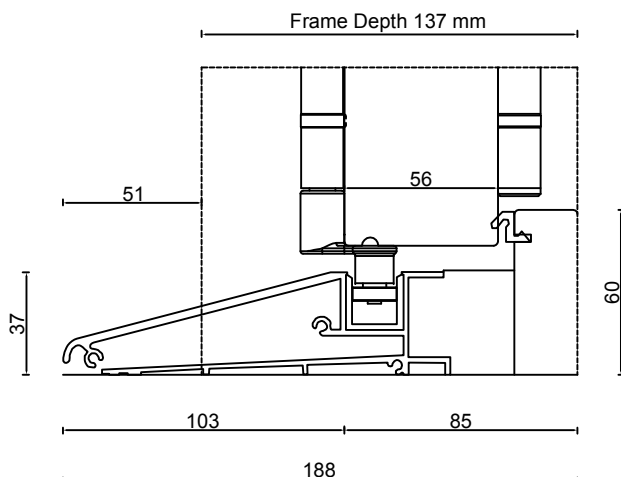
Width: _____ mm Height: _____ mm Qty _____ .



OUTSIDE VIEW – opens and stacks: **Outside / Inside**

Opening Configuration from outside view: _____ Left and _____ Right.

CILL DETAIL:



Magnetic Catch (to hold the leaves open):

1. No
2. Yes, Qty _____

Other ?